

ASSEMBLY INSTRUCTIONS

90CM HIGH SLEEPER BUNK BED

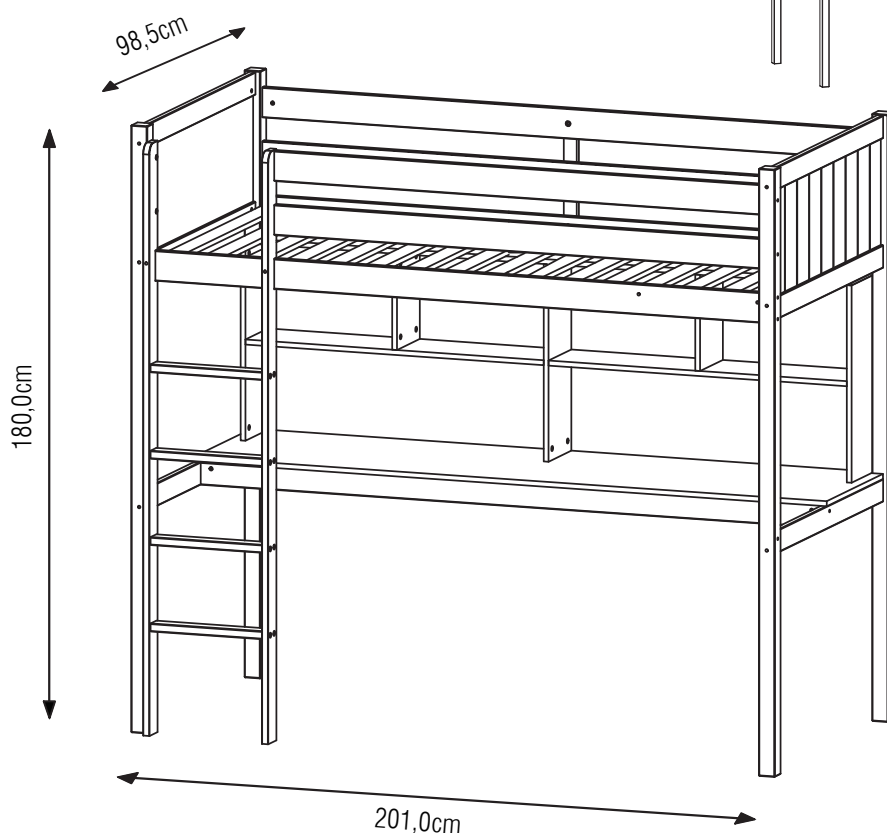
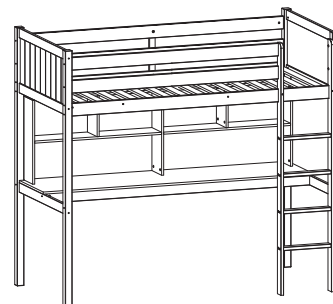
Approximate Assembly Time



People Required to Assemble



Tools Required



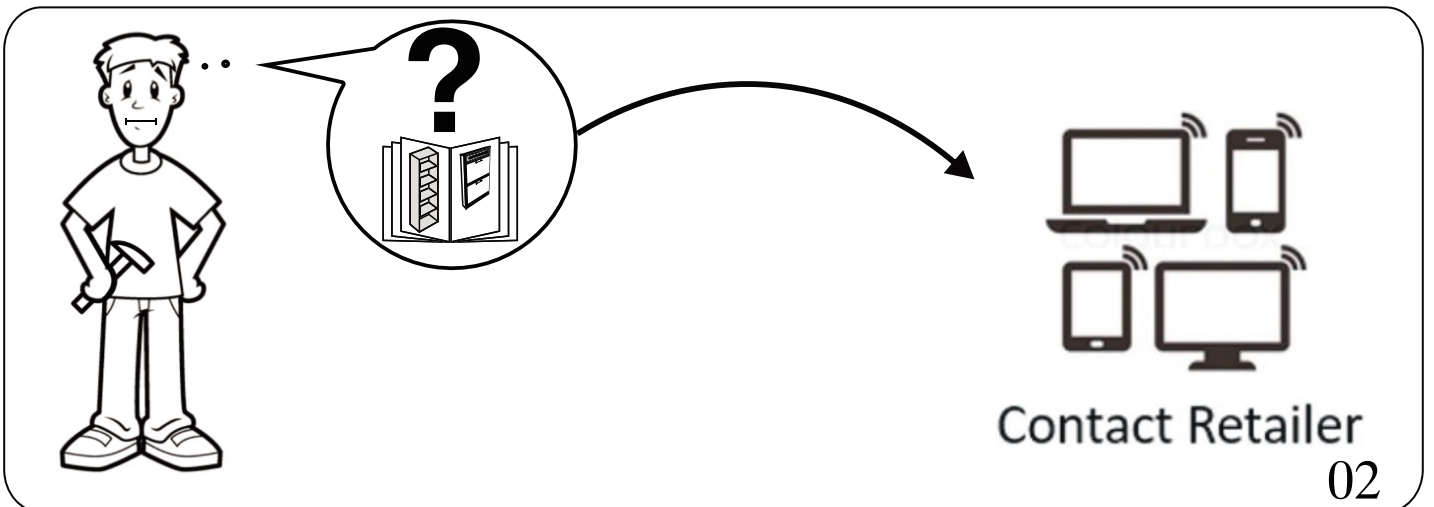
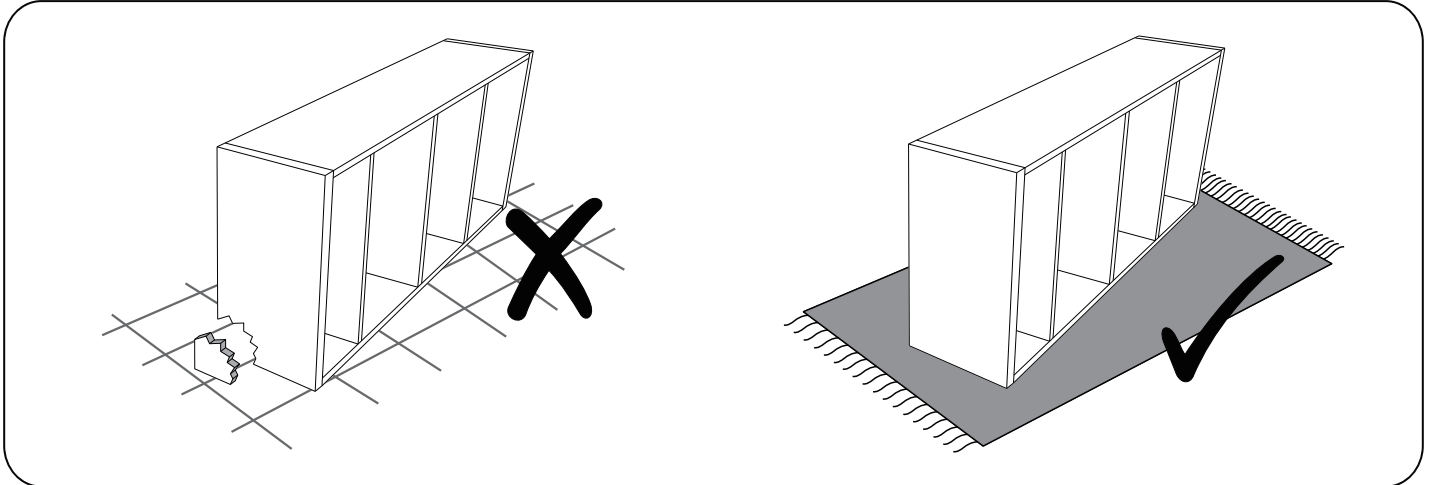
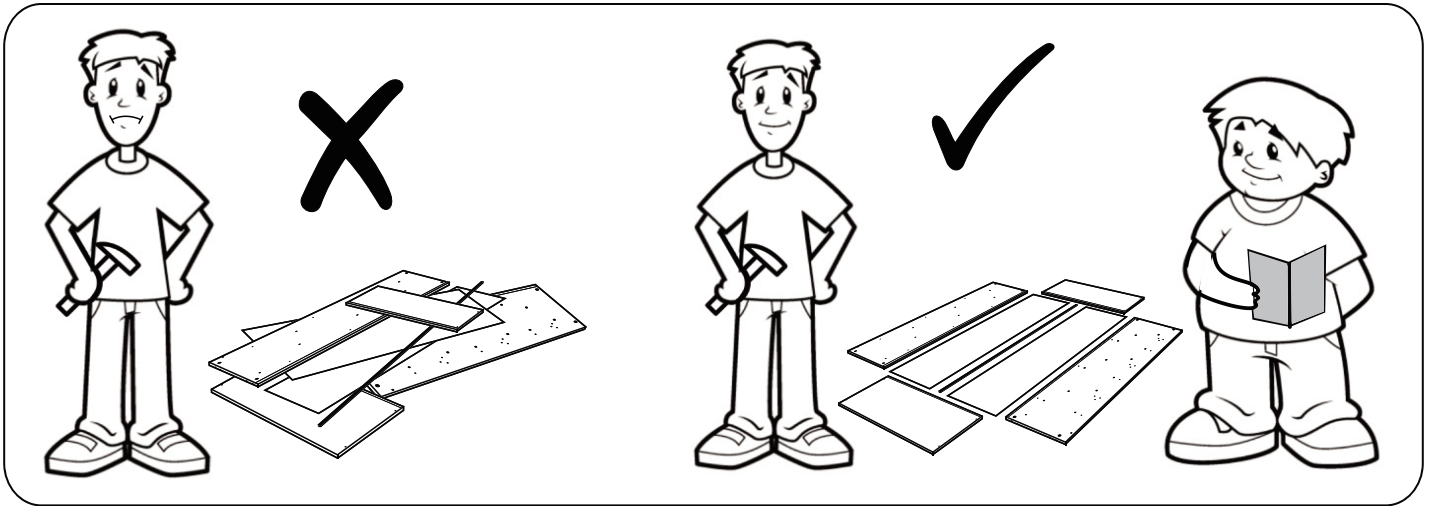
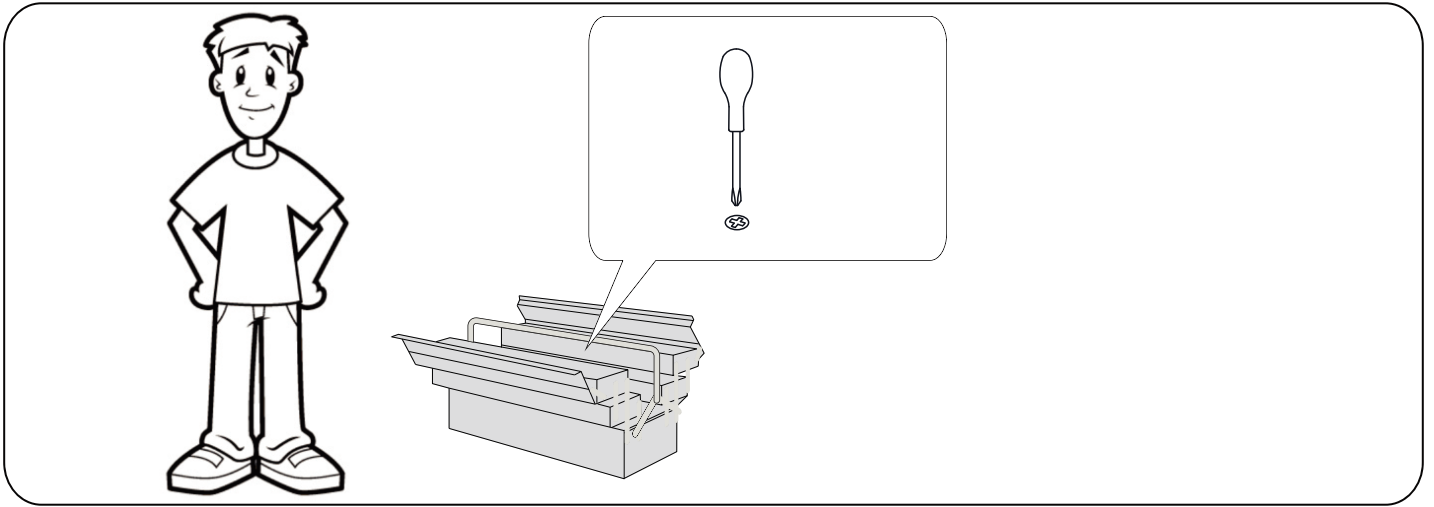
Before you start...

Please carefully unpack and lay out all of the component parts to ensure nothing is missing and to check each component for any obvious damage.

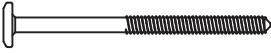










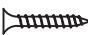

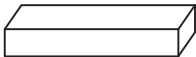
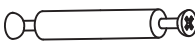
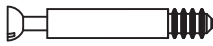

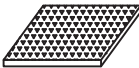
Should you identify any concerns at this stage please contact the retailer from whom this product was purchased. Please quote your order number, details of your issue, the product code, and the batch number from the cartons which will help to resolve your issue as quickly as possible.

Version Number -1.0

Product Code - TIT001/TIT002/TIT003



Please check all hardware matches the list below. Should you notice any are missing please contact your retailer.

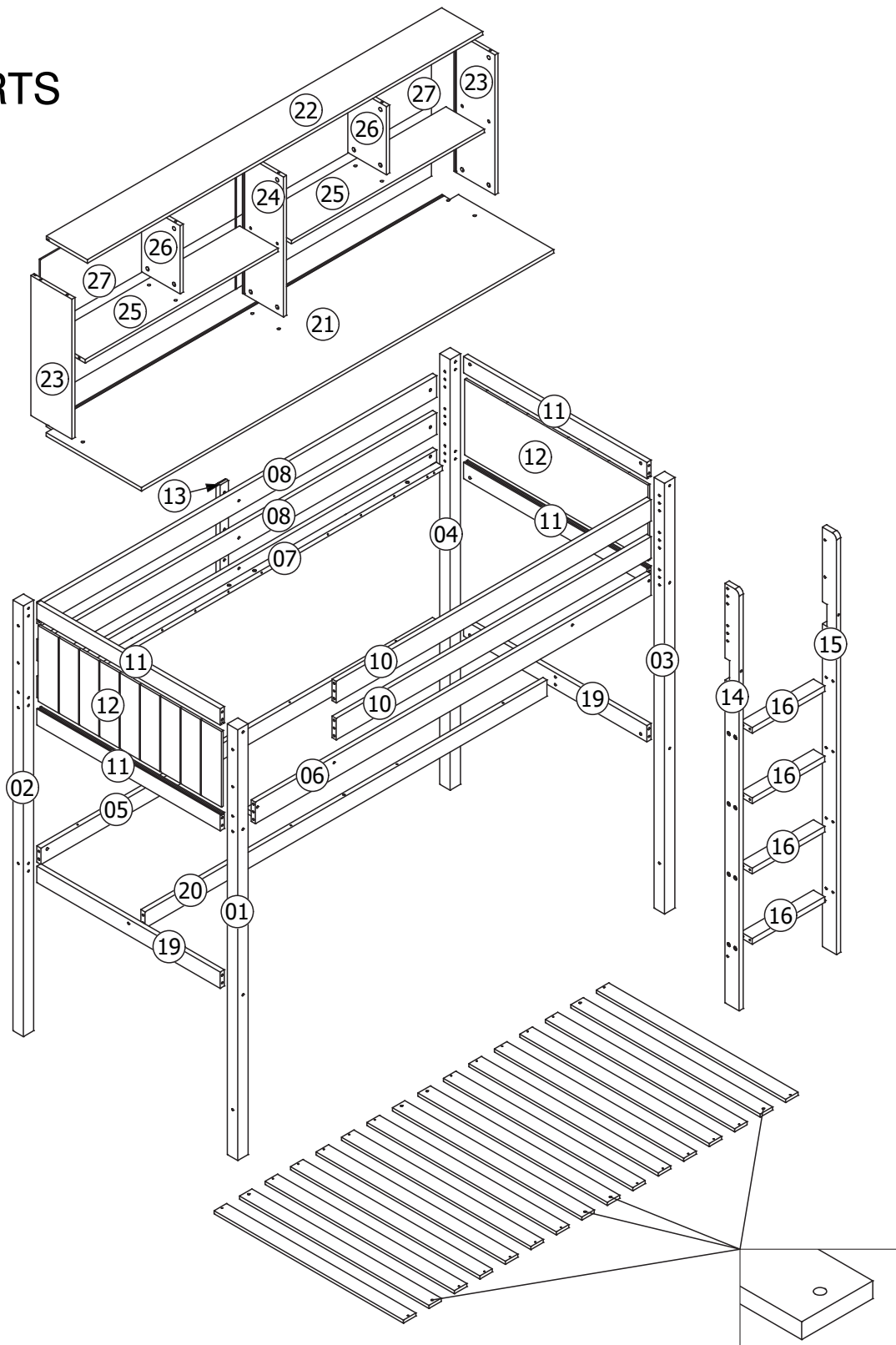
<p>JCBC M6x90mm AX28</p> 	<p>Barrel Nut M6 xØ10.5x16mm BX32</p> 	<p>Wood Dowel Ø8x30mm CX38</p> 	<p>JCBC M6x60mm DX 6</p> 
<p>JCBB Ø6x70mm EX16</p> 	<p>JCBC M6x50mm FX2</p> 	<p>JCBC M6x30mm GX3</p> 	<p>JCBC M6x25mm HX 8</p> 
<p>Nut M8x20mm IX7</p> 	<p>Csk Ø4x40mm JX8</p> 	<p>Allen Key 4mm KX2</p> 	<p>Csk Ø4x30mm LX24</p> 
<p>Cap Ø8mm MX8</p> 	<p>Block 63x30x20mm NX2</p> 	<p>Double end Connecting Bolt Ø5x80mm OX2</p> 	<p>Connecting Bolt Ø5x40mm PX24</p> 
<p>Minifix Housing Ø15x12mm QX28</p> 	<p>Pad 40x40mm RX4</p> 		

We strongly advise that you do not use Power Tools, such as drills or electric screwdrivers during the assembly as this may cause irreparable damage and will invalidate your warranty.



Do Not Use Power Tools

PARTS



Please ensure you carefully check all the pieces, should you have any concerns please contact the retailer before assembly commences. Please have your order number, detail of the issue, the product code, and the batch number from the cartons as this will help us to resolve your issue much faster.

ASSEMBLY ADVICE

Please take the time to carefully read through these instructions before you commence.

Keep these instructions for future reference.

We advise that the product is assembled in the room it is intended for.

We advise that you keep the hardware in a bowl during assembly to avoid losing anything.

We strongly recommend that you keep children away from the work area.

Small component parts could choke a child if swallowed.

We recommend you use a sheet or blanket to protect both floor and product through the assembly stages.

This product is heavy, and we recommend a 2 person lift to avoid personal injury or damage to the product.

Never push or pull the product as this could cause both personal injury or irreparable damage to product or floor.

We have tried to make this piece of furniture easy to assemble if the instructions are followed carefully.

In the unlikely event that you have problems with assembling the product or have missing or damaged parts, please contact your retailer and we will assist them in rectifying the problem as quickly as possible.

Please remember we strongly urge you **DO NOT** use power tools such as drill or electric screwdrivers as this could cause irreparable damage to your product and will invalidate your warranty.



Do Not Use Power Tools

EN - Instructions for use

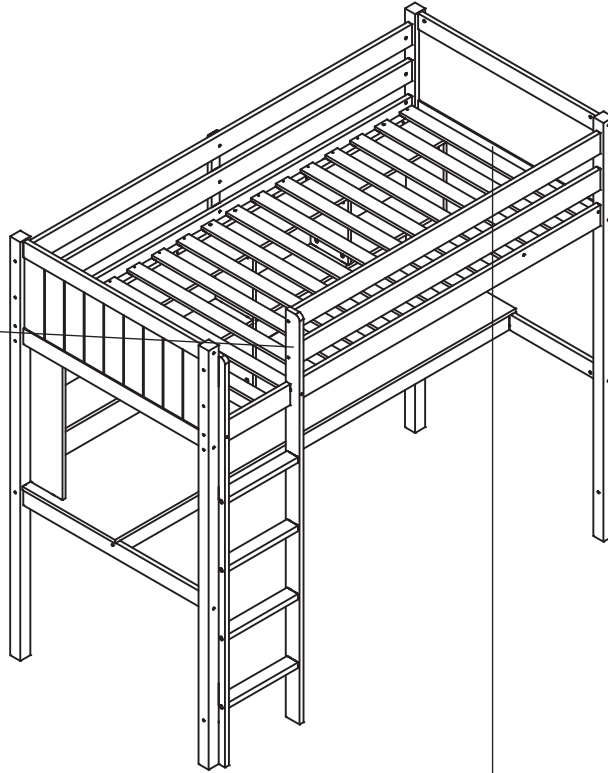
IMPORTANT – READ CAREFULLY – KEEP FOR FUTURE REFERENCE

- a) WARNING "High beds and the upper bed of bunk beds are not suitable for children under six years due to the risk of injury from falls";
- b) WARNING "Bunk beds and high beds can present a serious risk of injury from strangulation if not used correctly. Never attach or hang items to any part of the bunk bed that are not designed to be used with the bed, for example, but not limited to ropes, strings, cords, hooks, belts and bags"
- c) WARNING "Children can become trapped between the bed and the wall, a roof pitch, the ceiling, adjoining pieces of furniture (e.g. cupboards) and the like. To avoid risk of serious injury the distance between the top safety barrier and the adjoining structure shall not exceed 75 mm or shall be more than 230 mm";
- d) **WARNING** Do not use the upper bunk bed or a raised bed if a part of the structure is missing or broken. Spare parts should be requested from the manufacturer or shop.
- e) It is essential that the manufacturer's instructions on assembly and use are followed.
- f) The recommended size of the mattress to be used with the bed is 1900mm x 900mm, **Maximum mattress thickness: 190mm**
- g) Mattresses must be aired to maintain a low humidity and to stop moisture building up in the bed and its surroundings.
- k) The fastenings put in place on assembly should all be properly tightened and regularly checked. Retighten the fastenings as necessary.
- l) This complies with the requirements of the European Safety Standard EN747-1&2:2012+A1:2015
- m) The presence of a night light could give more safety for a child sleeping in an upper bed.

L

L

IMPORTANT SAFETY WARNING!
DO NOT PLACE THE MATTRESS ABOVE
THE LINE MARKED ABOVE AND DO NOT
REMOVE THIS LABEL.



DO NOT REMOVE THE EN747 P LABEL.



TITAN HIGHSLEEPER

CERTIFICATION LABEL



Product Code - TIT001/TIT002/TIT003
Julian Bowen Limited
Bentinck House,
Park Lane Busienss Park,
Kirkby-in-Ashfield,
Nottinghamshire,
NG17 9LE

This bunk bed model has been tested
by an independent laboratory and is
in compliance with
BS EN 747-1&2:2012 +A1:2015 -
Standard Consumer Safety Specification
For Bunk Beds & High Beds

Factory ID: Manufactured in China
Date of Manufacture:

WARNING: THIS UPPER BED IS NOT SUITABLE FOR CHILDREN UNDER SIX YEARS

01

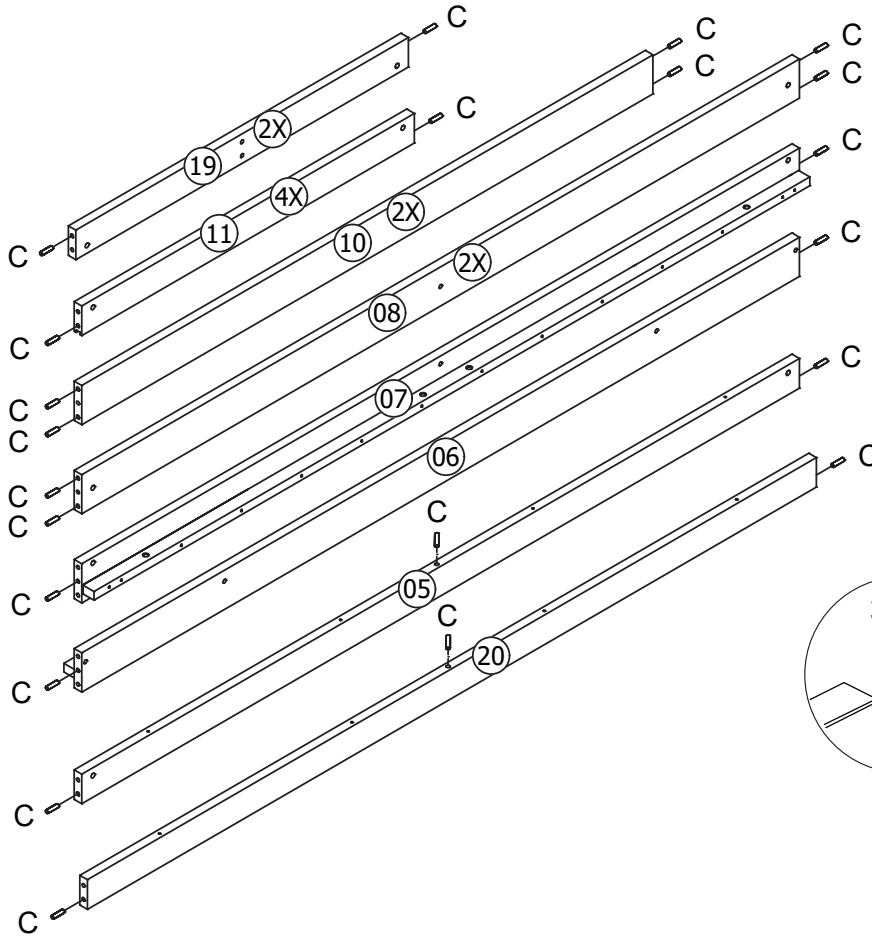


Do Not Use Power Tools

Wood Dowel
Ø8x30mm



38



02

JCBC
M6x90mm

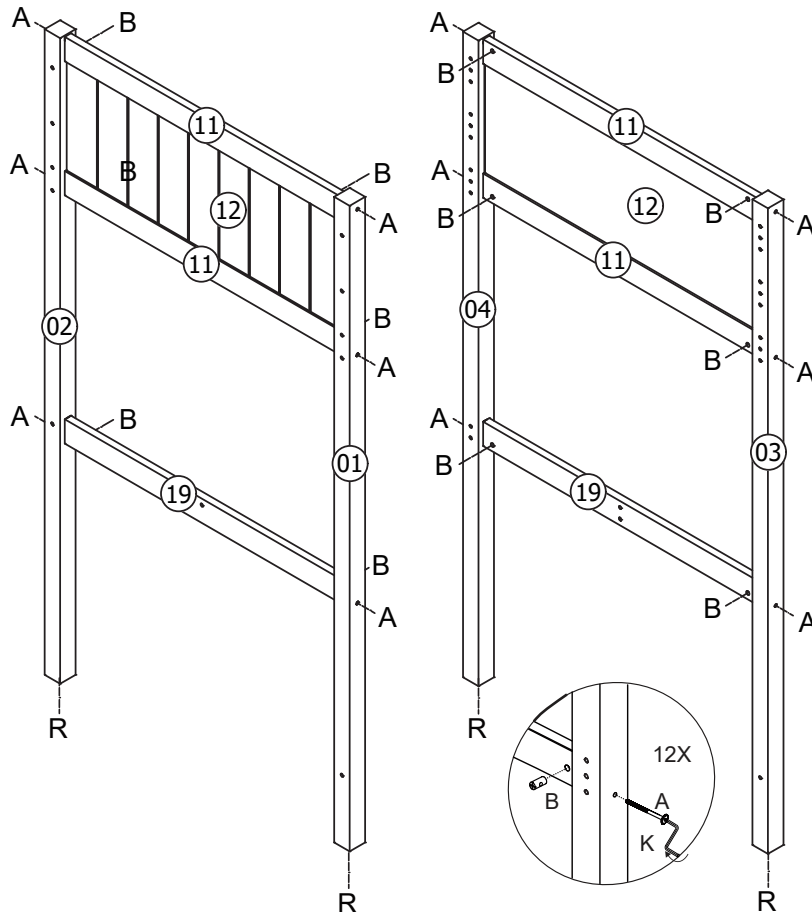


12

Barrel Nut
M6x16mm



12

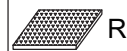


Allen Key
4mm





1


Pad
40x40mm




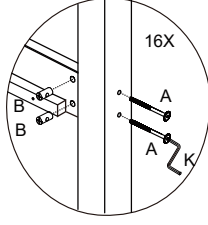
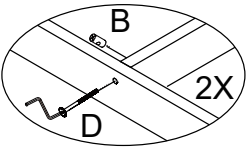
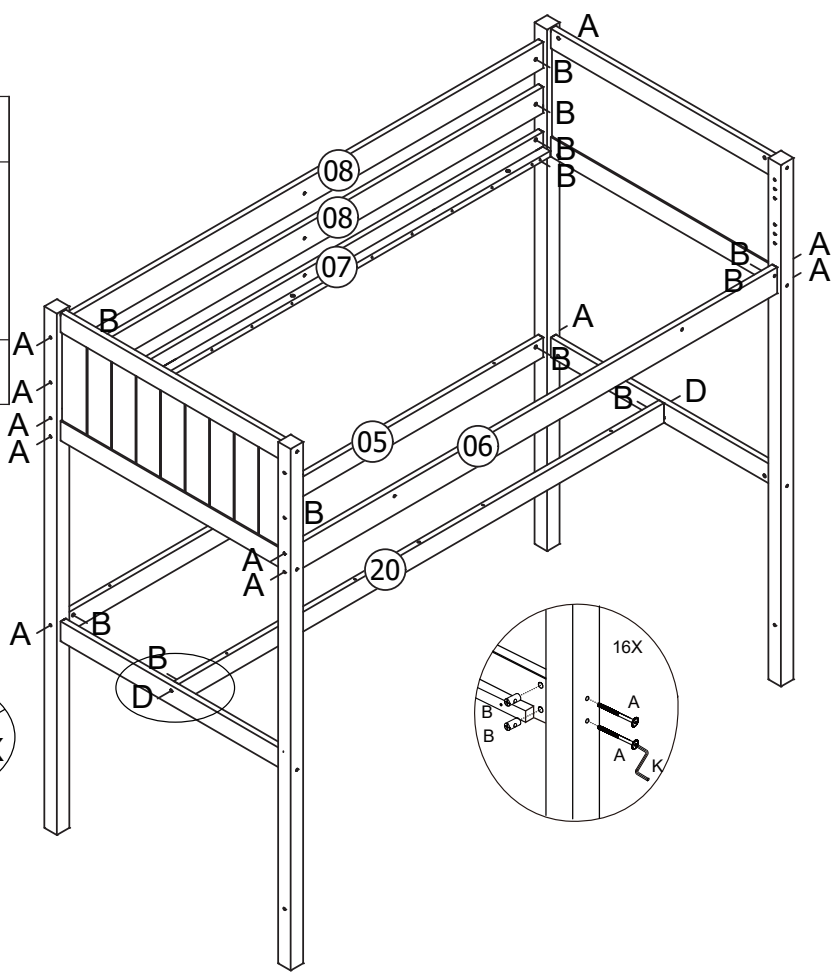
4

03

JCBC M6x90mm	Barrel Nut M6x16mm
	
14	16


JCBC M6x60mm

2

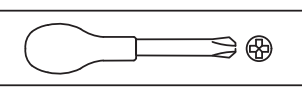
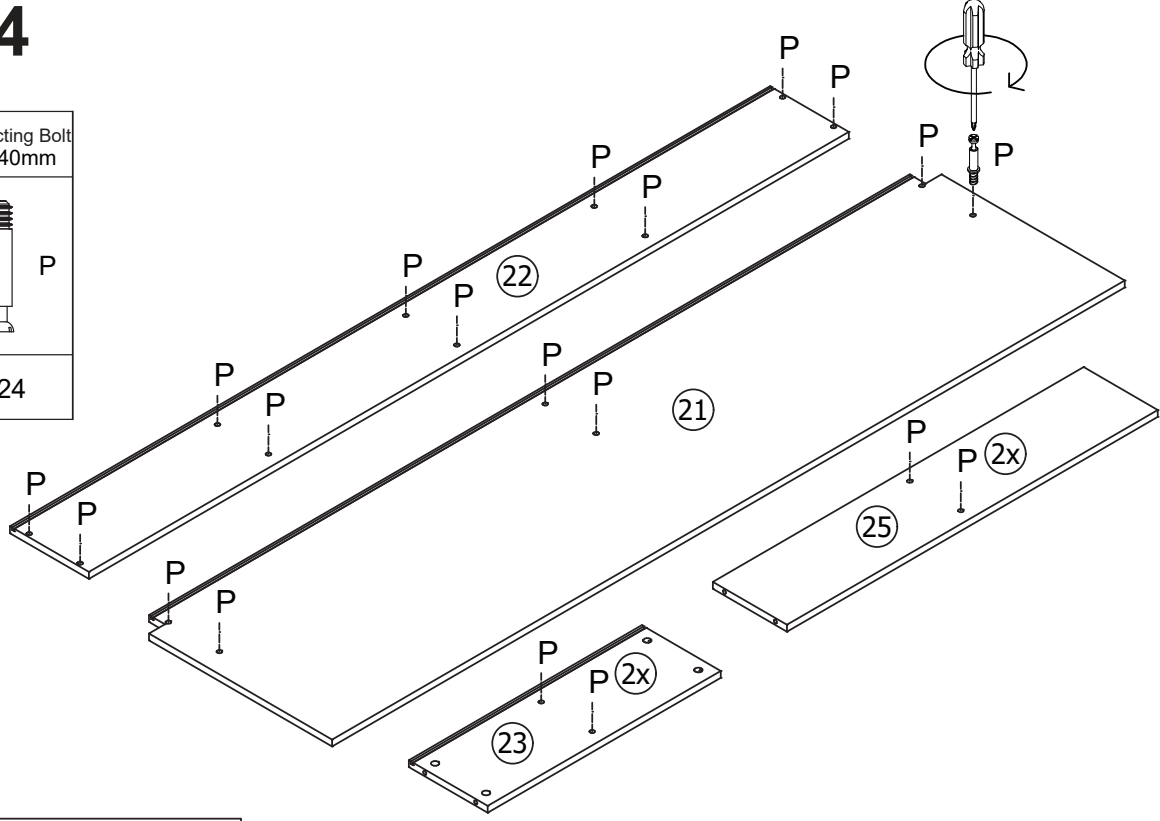
Allen Key 4mm

1



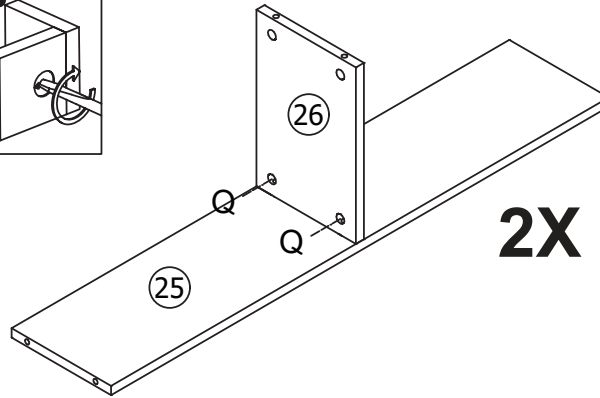
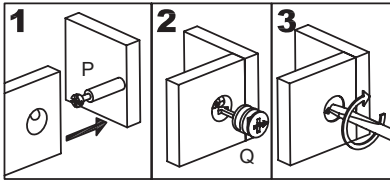
Do Not Use Power Tools

04

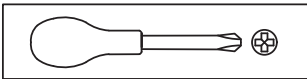
Connecting Bolt Ø5x40mm

24



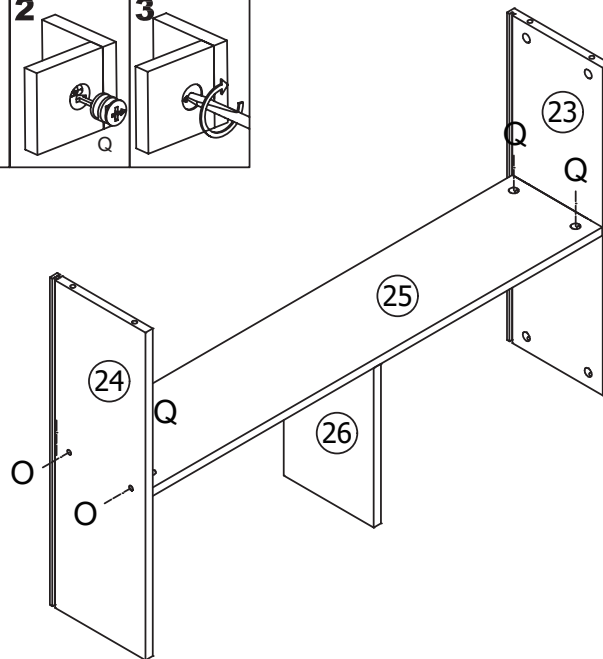
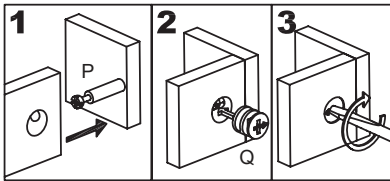
05



Minifix Housing Ø15x12mm
Q
4



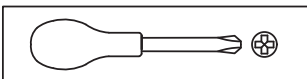
06



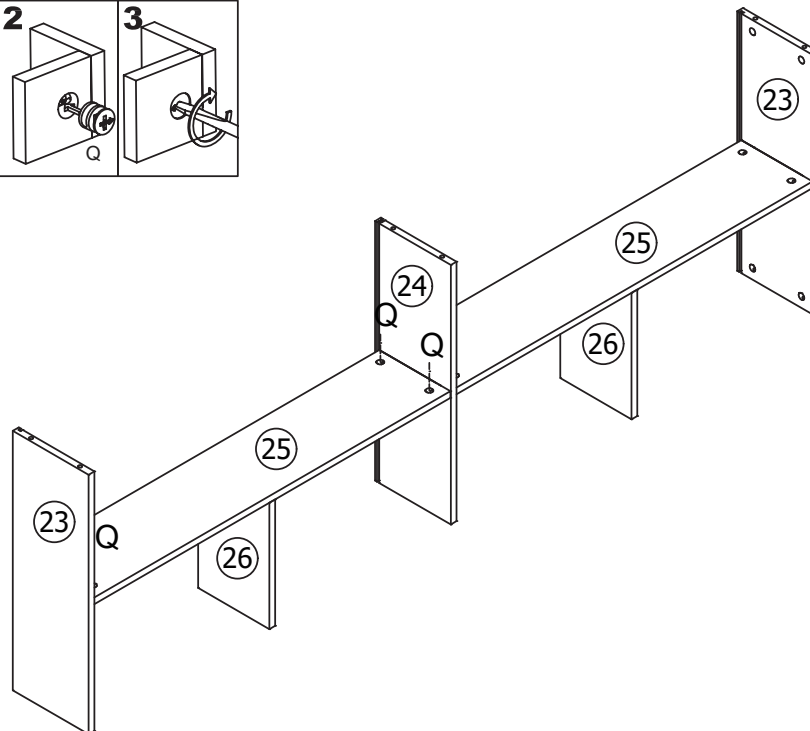
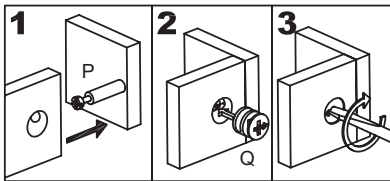
Double end Connecting Bolt Ø5x80mm	Minifix Housing Ø15x12mm
O	Q
2	4



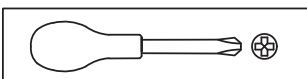
Do Not Use Power Tools



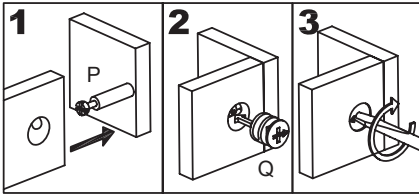
07



Minifix Housing Ø15x12mm
Q
4



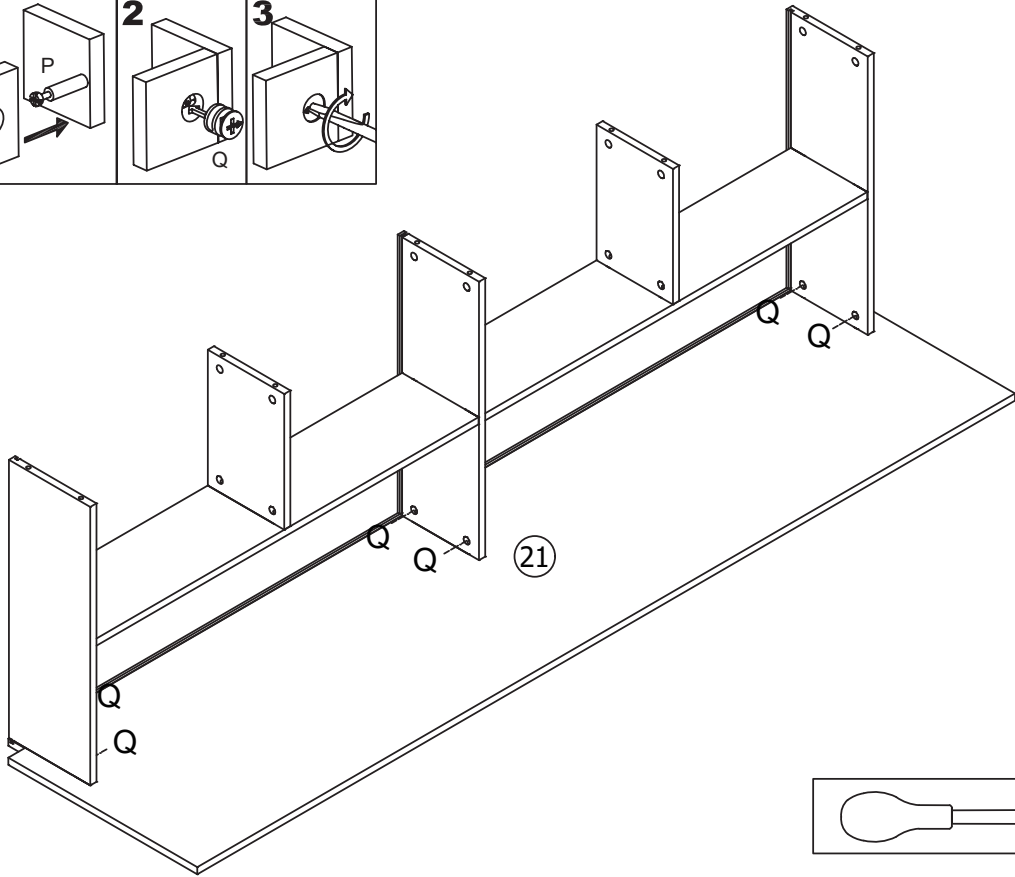
08



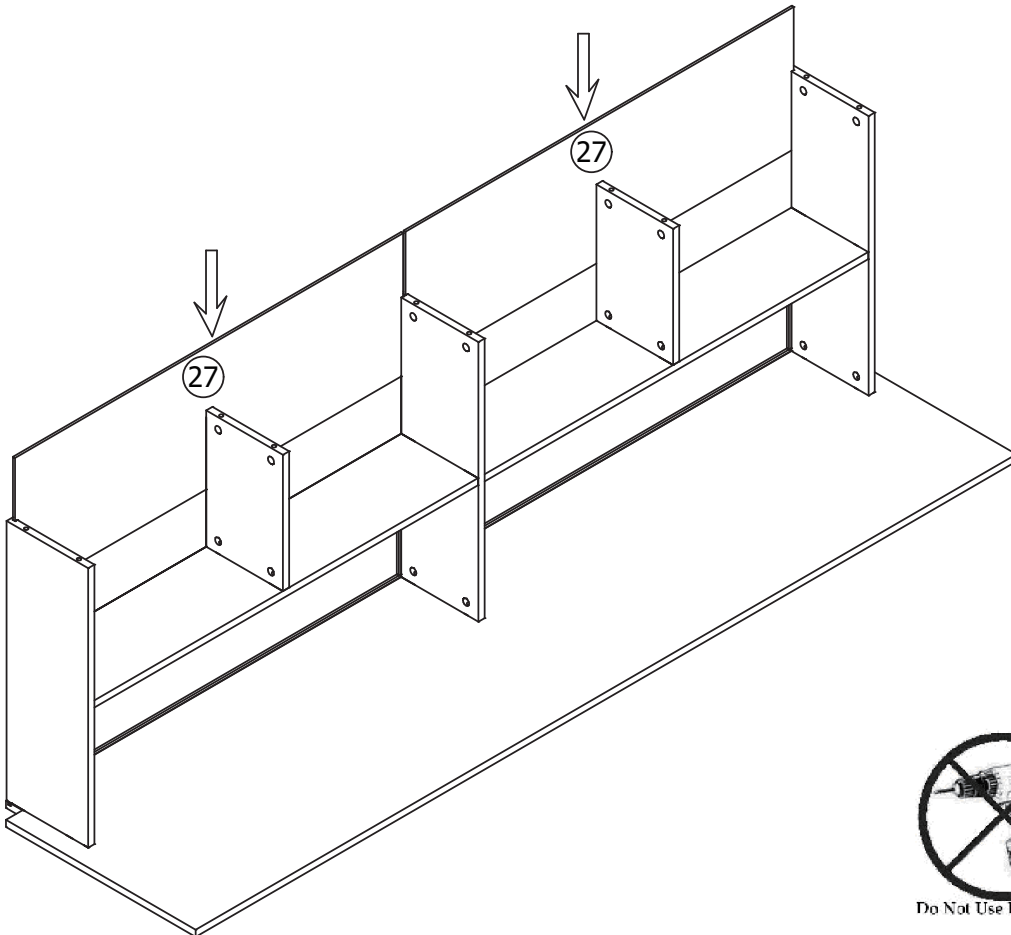
Minifix Housing
Ø15x12mm



6

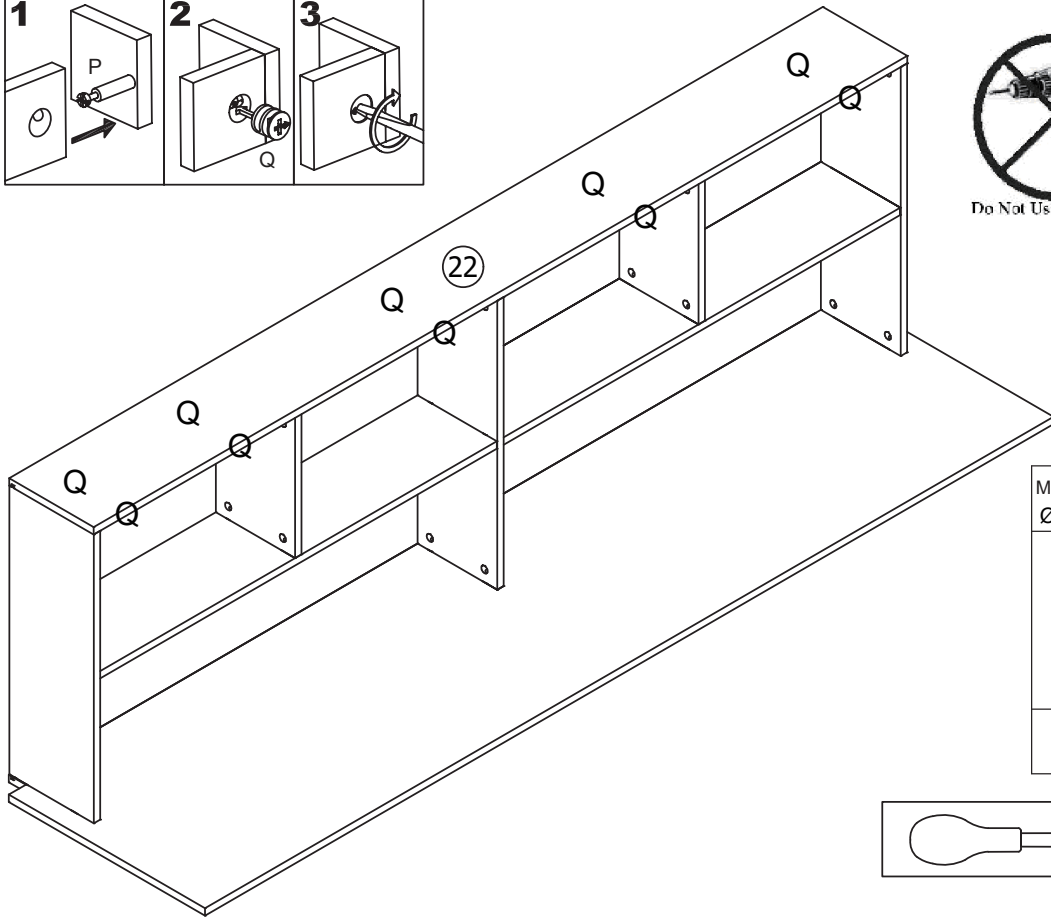
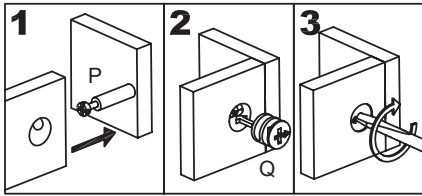


09




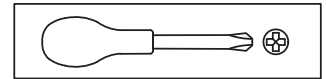
Do Not Use Power Tools

10

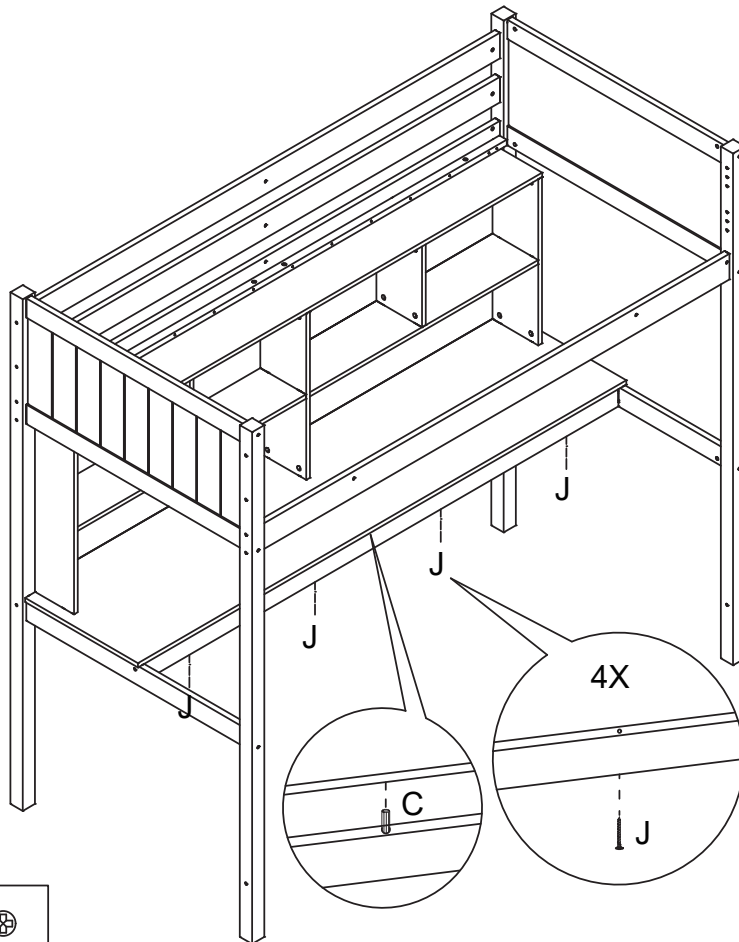



Do Not Use Power Tools

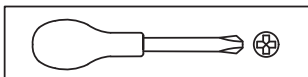
Minifix Housing Ø15x12mm
 Q
10



11




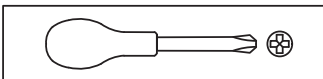
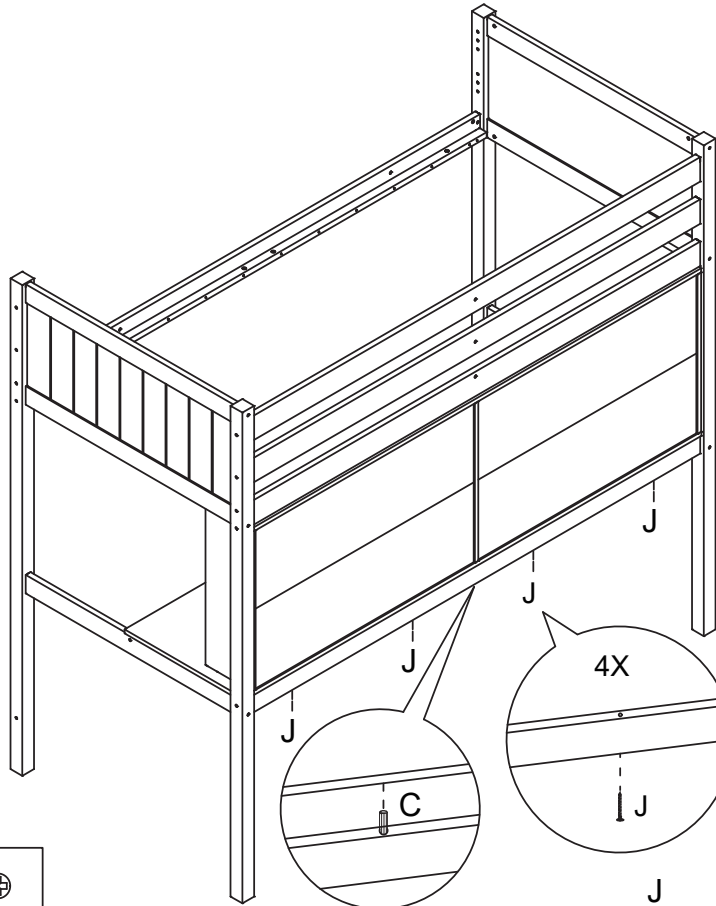
Csk Ø4x40mm
 J
4



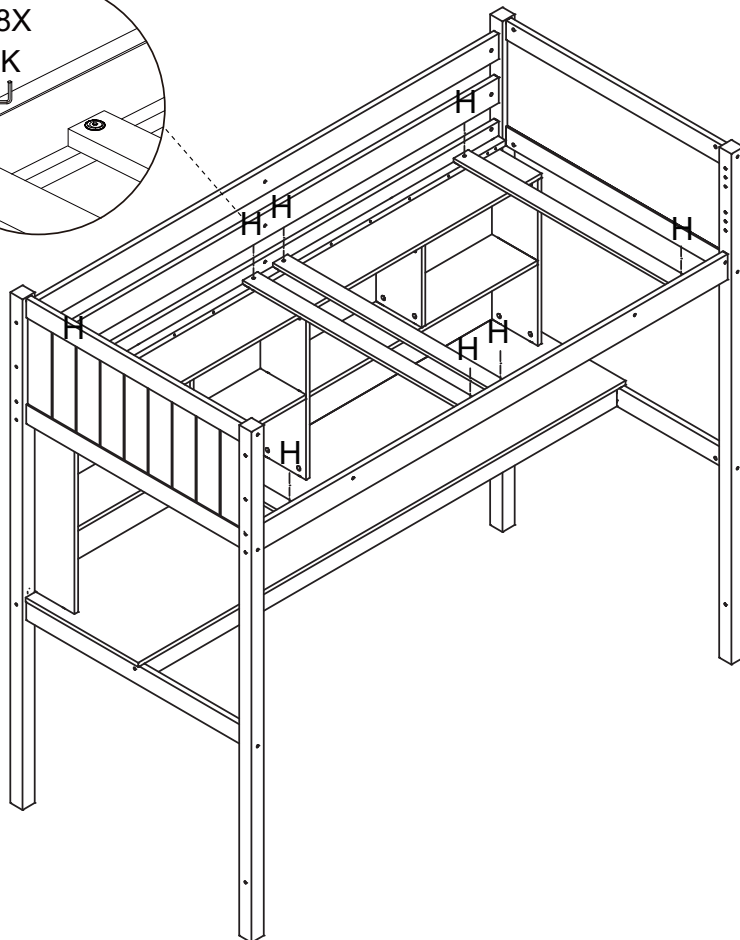
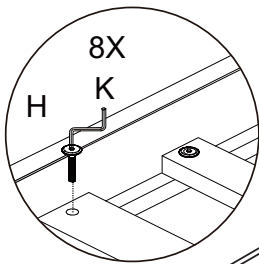
12





Csk Ø4x40mm
 J
4

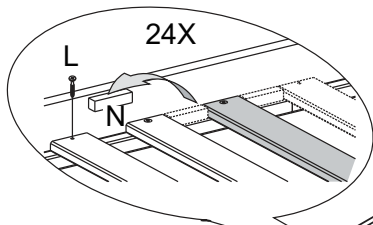


13


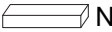


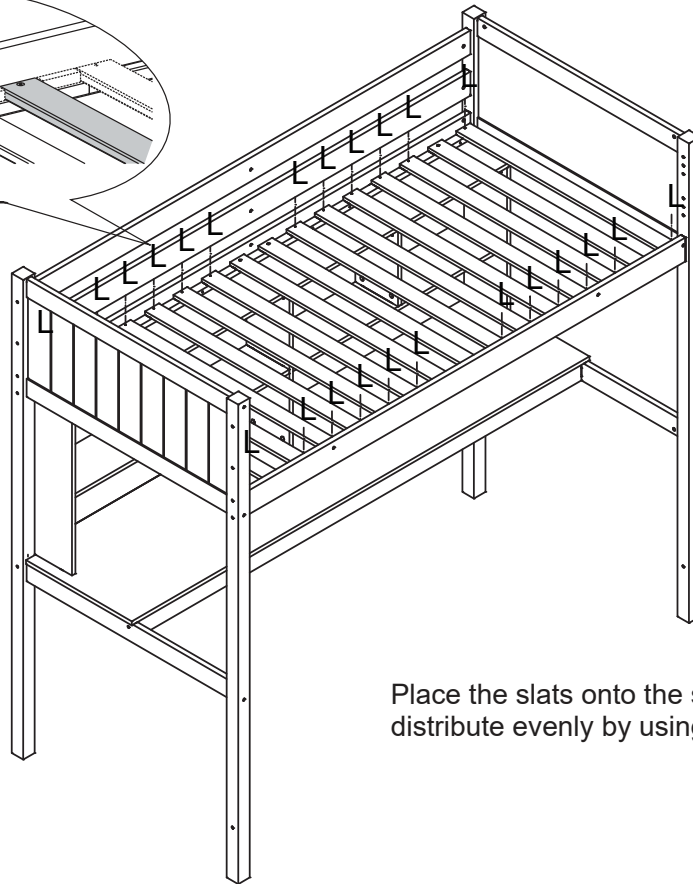
JCBC M6x25mm	Allen Key 4mm
 H	 K
8	1

14

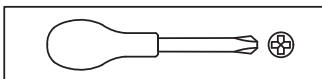


Do Not Use Power Tools

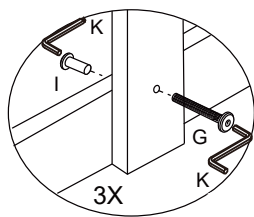
Csk Ø4x30mm	Block 63x30x20mm
 L	 N
24	2


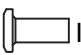



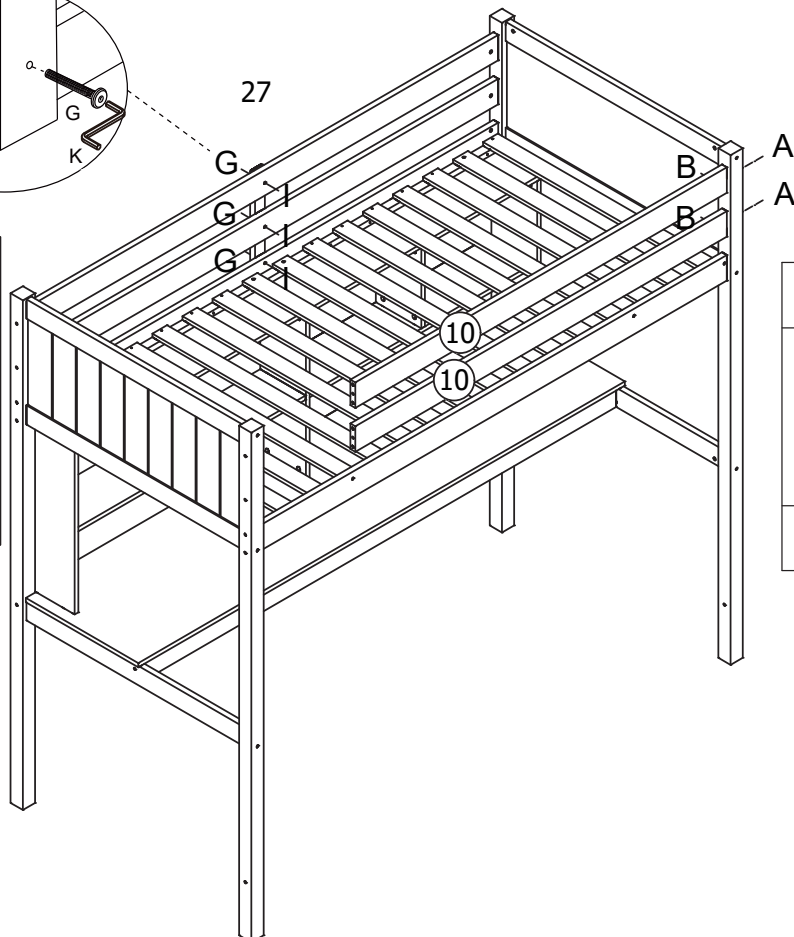
Place the slats onto the side rail supports and distribute evenly by using the spacer provided.





15



JCBC M6x30mm	Nut M8x20mm
 G	 I
3	3
Allen Key 4mm	
 K	
2	

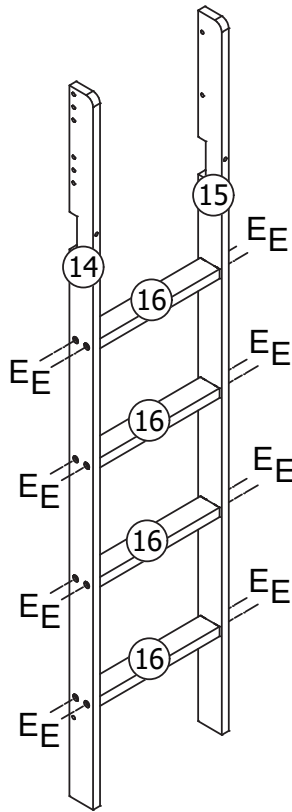
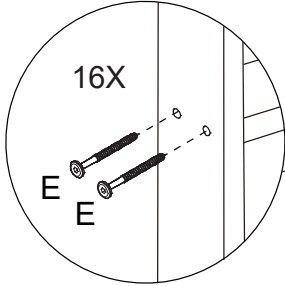



JCBC M6x90mm	Barrel Nut M6x16mm
 A	 B
2	2

16

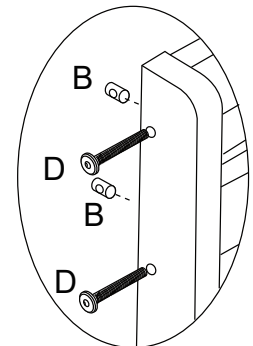
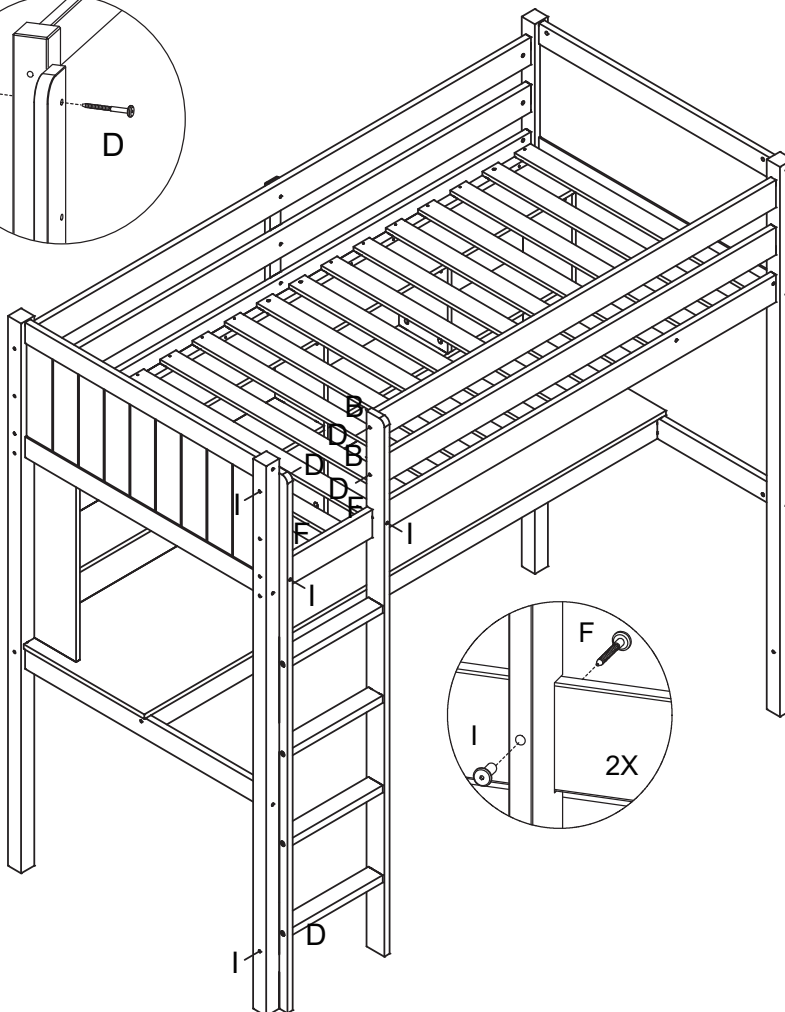
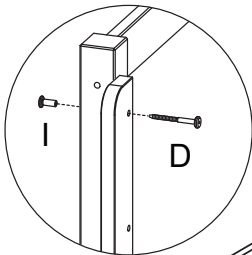




Do Not Use Power Tools

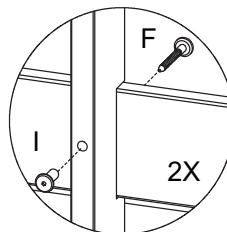




JCBB Ø6x70mm

E
16

17



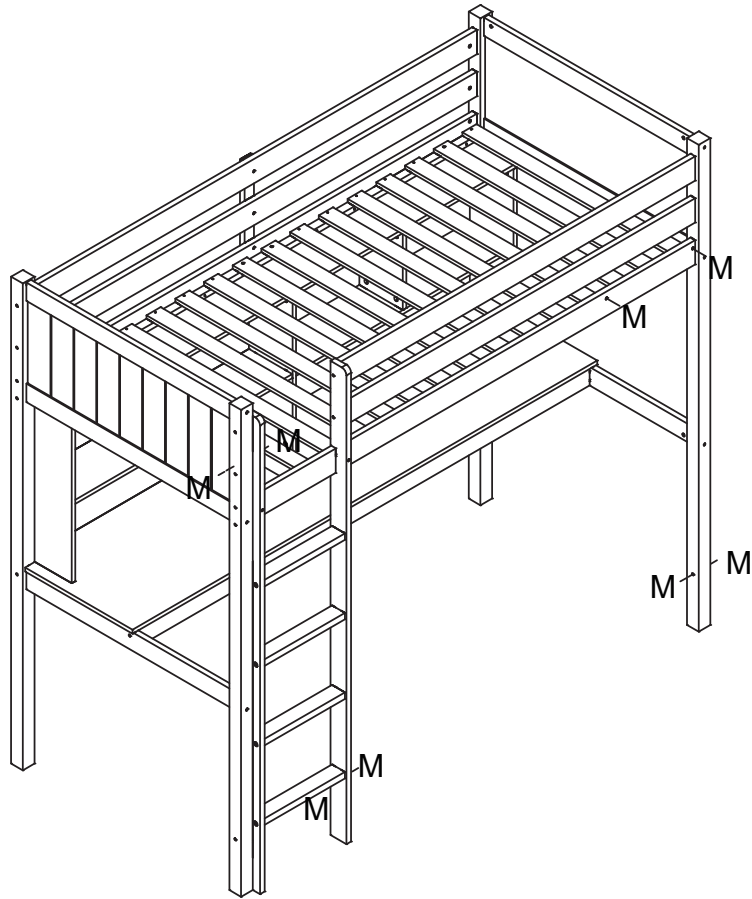
JCBB M6x50mm

F
2
Nut M8x20mm

I
4



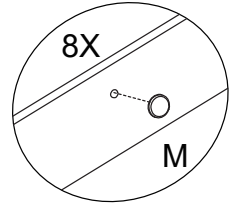
Barrel Nut M6x16mm	JCBB M6x60mm
	
B	D
2	4

18

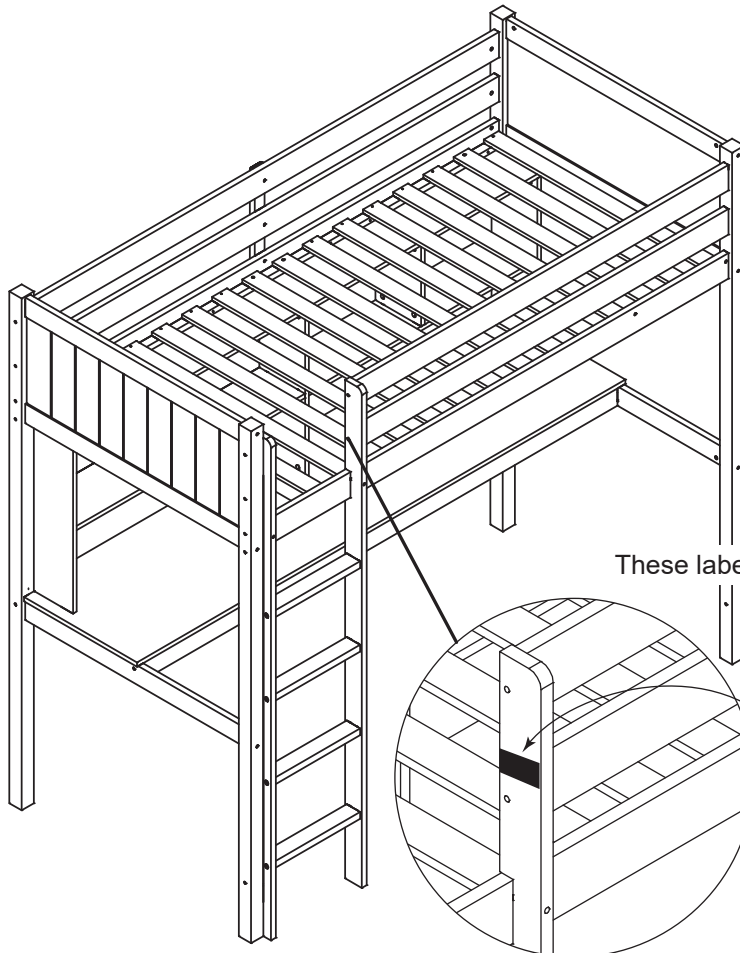
Cap Ø8mm
 M
8



Do Not Use Power Tools



19



These labels are not to be removed.

IMPORTANT SAFETY WARNING!
DO NOT PLACE THE MATTRESS ABOVE
THE LINE MARKED ABOVE AND DO NOT
REMOVE THIS LABEL.

GENERAL CARE & MAINTENANCE

We advise that when cleaning the product that a damp cloth is used.

Avoid the use of all household cleaners and abrasive.

Never push or drag the furniture.

Never attempt to move the furniture when fully loaded.

We advise that periodically all fixing are re-tightened.